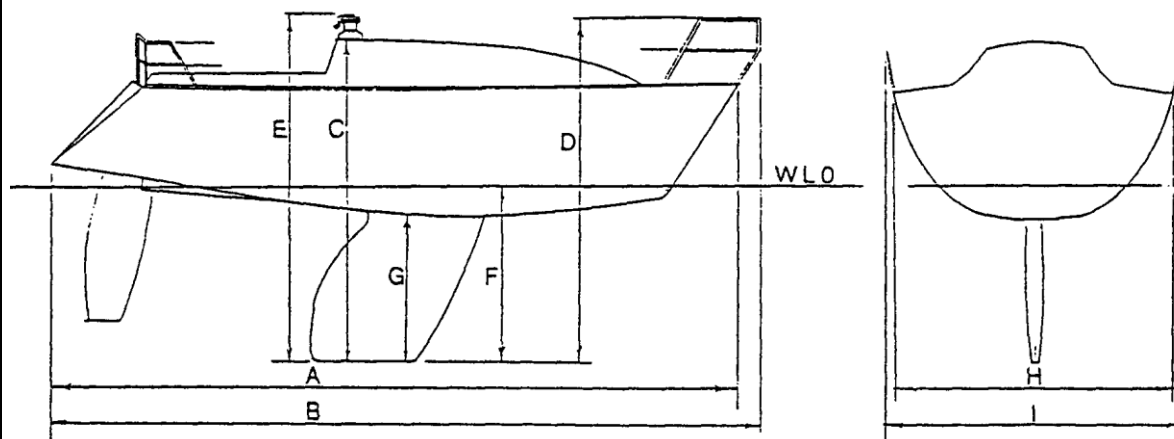


X-Yachts A/S, Fjordagervej 21, 6100 Haderslev, Denmark,
Tel +45 74 52 10 22, Fax +45 74 53 03 97, E-mail info@x-yachts.com

LIST WITH TRANSPORT DIMENSIONS FOR X-BOATS – August 2011

Please check for yourself on drawing below (from the letters A,B,C etc.) if the measurements you need are to be inclusive of pulpits etc.etc.



X-99		X-302	
A	10,000 m	A	9,350 m
B	10,000 m	B	9,550 m
C	3,350 m	C	3,410 m
D	3,360 m	D	3,540 m
E	3,390 m	E	3,560 m
F	1,800 m	F	1,760 m
G	1,410 m	G	1,340 m
H	3,000 m	H	3,000 m
I	3,210 m	I	3,200 m
Length mast	15,480 m	Length mast	14,450 m
Weight mast	70 kg	Weight mast	55 kg
Weight yacht	2,900 kg	Weight yacht	3,600 kg
Weight cradle	100 kg	Weight cradle	100 kg
Weight keel	1,150 kg	Weight keel	1,300 kg
Weight yacht without keel	1,750 kg	Weight yacht without keel	2,300 kg

X-332 Sport		X-332	
A	10,310 m	A	10,310 m
B	10,390 m	B	10,390 m
C	3,860 m	C	3,480 m
D	3,970 m	D	3,590 m
E	4,000 m	E	3,630 m
F	2,170 m	F	1,790 m
G	1,750 m	G	1,370 m
H	3,300 m	H	3,300 m
I	3,880 m	I	3,500 m
Length mast	16,450 m	Length mast	16,450 m
Weight mast	70 kg	Weight mast	70 kg
Weight yacht	4,200 kg	Weight yacht	4,200 kg
Weight cradle	100 kg	Weight cradle	100 kg
Weight keel	1,300 kg	Weight keel	1,500 kg
Weight yacht without keel	2,700 kg	Weight yacht without keel	2,700 kg

X-34 Shallow draft (1,65 m)		X-34 (1,9m)	
A		A	10,410 m
B		B (Including anchor fitting)	10,644 m
C		C (Including garage)	3,765 m
D		D	3,830 m
E		E (Incl. Instrument console)	3,980 m
F		F	1,900 m
G		G	1,434 m
H		H	3,400 m
I		I	3,520 m
Length mast		Length mast	17,500 m
Weight mast		Weight mast	250 kg
Weight yacht		Weight yacht	5.200 kg
Weight cradle		Weight cradle	100 kg
Weight keel		Weight keel	1.920 kg
Weight yacht without keel		Weight yacht without keel	3.280 kg

X-35 Shallow draft		X-35	
A	10,610 m	A	10,610 m
B	10,800 m	B	10,800 m
C	3,475 m	C	3,775 m
D	3,765 m	D	4,065 m
E	3,650 m	E	3,950 m
F	1,850 m	F	2,150 m
G	1,455 m	G	1,755 m
H	3,280 m	H	3,280 m
I	3,450 m	I	3,450 m
Length mast	18,000 m	Length mast	18,000 m
Weight mast	110 kg	Weight mast	110 kg
Weight yacht	4,300 kg	Weight yacht	4,300 kg
Weight cradle	100 kg	Weight cradle	100 kg
Weight keel	1,400 kg	Weight keel	1,500 kg
Weight yacht without keel	2,900 kg	Weight yacht without keel	2,800 kg

X-362		X-362 Sport, draft 2.25 m	
A	10,720 m	A	10,720 m
B	10,867 m	B	10,867 m
C	3,600 m	C	3,950 m
D	3,680 m	D	4,030 m
E	3,750 m	E	4,100 m
F	1,940 m	F	2,250 m
G	1,500 m	G	1,810 m
H	3,480 m	H	3,480 m
I	3,690 m	I	3,690 m
Length mast	15,615 m	Length mast	17,200 m
Weight mast	160 kg	Weight mast	154 kg
Weight yacht	5,800 kg	Weight yacht	5,000 kg
Weight cradle	160 kg	Weight cradle	160 kg
Weight keel	1,900 kg	Weight keel (Mediterranean/Simoneit)	1,623 kg
Weight yacht without keel	3,900 kg	Weight yacht without keel	3,350 kg

X-362 Sport, draft 2.05 m		X-382	
A	10,720 m	A	11,500 m
B	10,867 m	B	11,850 m
C	3,750 m	C	3,750 m
D	3,830 m	D	3,850 m
E	3,900 m	E	3,800 m
F	2,050 m	F	2,000 m
G	1,610 m	G	1,470 m
H	3,480 m	H	3,700 m
I	3,690 m	I	3,880 m
Length mast	17,200 m	Length mast	16,900 m
Weight mast	154 kg	Weight mast	180 kg
Weight yacht	4,900 kg	Weight yacht	6,300 kg
Weight cradle	160 kg	Weight cradle	220 kg
Weight keel	1,550 kg	Weight keel	2,500 kg
Weight yacht without keel	3,350 kg	Weight yacht without keel	3,600 kg

X-37		X-40	
A	11,350 m	A	12,186 m
B with anchor fitting	11,560 m	B with anchor fitting	12,446 m
C (std.)	3,740 m	C (std.)	3,981 m
D (std.)	4,020 m	D (std.)	4,143 m
E (std.) Incl. Instrument console	3,890 m	E (std.)	3,990 m
F (std.)	2,000 m	F (std.)	2,100 m
G (std.)	1,552 m	G (std.)	1,573 m
H	3,490 m	H	3,800 m
I	3,650 m	I	3,920 m
Length mast	19,000 m	Length mast	19,350 m
Weight mast	200 kg	Weight mast	260 kg
Weight yacht	6,600 kg	Weight yacht	7,533 kg
Weight cradle	180 kg	Weight cradle	200 kg
Weight std. keel	2,330 kg	Weight std. keel	2,673 kg
Weight yacht without keel	4,270 kg	Weight yacht without keel	4,860 kg
For sport keel add to C, D, E, F and G	0,300 m	For sport keel add to C, D, E, F and G	0,312 m

IMX-40		X-412	
A	12,136 m	A	12,511 m
B	12,311 m	B	12,921 m
C	4,200 m	C	4,050 m
D	4,470 m	D	4,100 m
E	4,350 m	E	4,115 m
F	2,450 m	F	2,235 m
G	1,945 m	G	1,645 m
H	3,800 m	H	3,890 m
I	3,860 m	I	4,110 m
Length mast	18,800 m	Length mast	17,938 m
Weight mast	164 kg	Weight mast	250 kg
Weight yacht	6,800 kg	Weight yacht	7,500 kg
Weight cradle	200 kg	Weight cradle	220 kg
Weight keel	1,930 kg	Weight keel	3,000 kg
Weight yacht without keel	4,870 kg	Weight yacht without keel	4,500 kg

X-41		IMX 38	
A	12,345 m	A	11,40 m
B	12,570 m	B	11,40 m
C	4,315 m	C	3,85 m
D	4,512 m	D	3,96 m
E	4,476 m	E	4,03 m
F	2,490 m	F	2,18 m
G	2,045 m	G	1,66 m
H	3,640 m	H	3,66 m
I	3,816 m	I	3,76 m
Length mast	19,85 m	Length mast	17,00 m
Weight mast	205 kg	Weight mast	250 kg
Weight yacht	6,800 kg	Weight yacht	5700 kg
Weight cradle	220 kg	Weight cradle	220 kg
Weight keel (incl. bulb)	2,405 kg	Weight keel (incl. bulb)	1900 kg
Weight yacht without keel	4,395 kg	Weight yacht without keel	3800 kg
Weight keel bulb	1,643 kg	Weight keel bulb	1400 kg
Without the bulb you deduct from C, D, E, F and G	0.263 m	Without the bulb you deduct from C, D, E, F and G	NA

X-43		X-442	
A	12,940 m	A	13,500 m
B	13,158 m	B	13,800 m
C	4,026 m	C	4,200 m
D	4,289 m	D	4,300 m
E	4,116 m	E	4,230 m
F	2,200 m	F	2,300 m
G	1,647 m	G	1,720 m
H	3,940 m	H	4,150 m
I	4,267 m	I	4,300 m
Length mast	20 m	Length mast	19,700 m
Weight mast	200 kg	Weight mast	300 kg
Weight yacht	8,600 kg	Weight yacht	9,700 kg
Weight cradle	200 kg	Weight cradle	220 kg
Weight keel	2,930 kg	Weight keel	3,400 kg
Weight yacht without keel	5,670 kg	Weight yacht without keel	6,300 kg
Weight keel bulb	1,760 kg		
Without the bulb you deduct from C, D, E, G and F	0.434 m		

IMX-45		X-46 (std. keel)	
A	13,752 m	A	14,01 m
B	13,752 m	B	14,01 m
C	4,603 m	C	4,351 m
D	4,940 m	D	4,585 m
E	4,825 m	E	4,355 m
F	2,750 m	F	2,400 m
G	2,207 m	G	1,810 m
H	4,150 m	H	4,150 m
I	4,270 m	I	4,480 m
Length mast	22,000 m	Length mast	21,500 m
Weight mast	280 kg	Weight mast	235 kg
Weight yacht	9,100 kg	Weight yacht	10,400 kg
Weight cradle	200 kg	Weight cradle	200 kg
Weight keel	2,368 kg	Weight keel	3,700 kg
Weight yacht without keel	6,732 kg	Weight yacht without keel	7,330 kg
Weight keel bulb	1,472 kg	Weight bulb	2,400kg
Without the bulb you deduct from C, D, E, F and G	0.495 m	Reduce height without bulb	0.491 m

X-482		X-562	
A	14,500 m	A	16,978 m
B	14,700 m	B	17,264 m
C	4,500 m	C	4,882 m
D	4,700 m	D	5,194 m
E	4,500 m	E	4,882 m
F	2,500 m	F	2,850 m
G	1,850 m	G	2,093 m
H	4,310 m	H	4,850 m
I	4,460 m	I	5,000 m
Length mast	21,100 m	Length mast	24,540 m
Weight mast	300 kg	Weight mast	380 kg
Weight yacht	12,500 kg	Weight yacht	18,000 kg
Weight cradle	220 kg	Weight cradle	220 kg
Weight keel	4,000 kg	Weight keel	5,800 kg
Weight yacht without keel	8,500 kg	Weight yacht without keel	12,200 kg
		Height keel lead part	0.580 m
		Weight of keel lead part	3,800 kg
		Width of keel lead part	0.580 m

X-612		X-50	
A	18,290 m	A	15,250 m
B	18,490 m	B	15,580 m
C	5,250 m	C	4,940 m
D	5,320 m	D	5,330 m
E	5,320 m	E	5,000 m
F	3,100 m	F	3,000 m
G	2,350 m	G	2,445 m
H	5,100 m	H	4,290 m
I	5,250 m	I	4,360 m
Length mast	27,000 m	Length mast	24,000 m
Weight mast	430 kg	Weight mast	500 kg
Weight yacht	22,500 kg	Weight yacht	14,500 kg
Weight cradle	220 kg	Weight cradle	220 kg
Weight keel	6,100 kg	Weight keel	4,100 kg
Weight yacht without keel	16,400 kg	Weight yacht without keel	8,350 kg
		Weight keel bulb	2,675 kg
		Without the bulb you deduct from C, D, E, G and F	0.580 m

X-55 std. draft 3.20		X-55 draft 2.90	
A	16,768 m	A	16,768 m
B	17,108 m	B	17,108 m
C	5,207 m	C	4,907 m
D	5,594 m	D	5,294 m
E	5,388 m	E	5,088 m
F	3,200 m	F	2,900 m
G	2,505 m	G	2,205 m
H	4,576 m	H	4,576 m
I	4,657 m	I	4,657 m
Length mast	26 m	Length mast	26 m
Weight mast	740 kg	Weight mast	740 kg
Weight yacht	18,000 kg	Weight yacht	18,000 kg
Weight cradle	220 kg	Weight cradle	220 kg
Weight keel	6,030 kg	Weight keel	6,030 kg
Weight yacht without keel	11,620 kg	Weight yacht without keel	11,620 kg
Without the bulb you deduct from C, D, E, G and F	0,533 m	Without the bulb you deduct from C, D, E, G and F	0,533 m

X-55 draft 2.50		X-65 draft 3,40	
A	16,768 m	A	20,010 m
B	17,108 m	B	20,010 m
C	4,507 m	C	5,665 m
D	4,894 m	D (Pulpit)	6,090 m
E	4,688 m	E (Top of wheel)	5,870 m
F	2,500 m	F	3,4000 m
G	1,805 m	G	2,577 m
H	4,576 m	H	5,360 m
I	4,657 m	I (Gateway)	5,380 m
Length mast	26 m	Length mast	31,100 m
Weight mast	740 kg	Weight mast	512 kg
Weight yacht	18,000 kg	Weight yacht	28000 kg
Weight cradle	220 kg	Weight cradle	220 kg
Weight keel	6,030 kg	Weight keel	8650 kg
Weight yacht without keel	11,620 kg	Weight yacht without keel	19350 kg
Without the bulb you deduct	0,533 m	Without the bulb you deduct	0,468 m
from C, D, E, G and F		from C, D, E, G and F	

X-65 draft 3,00		Xc 45 draft 2.20	
A	20,010 m	A	13,858 m
B	20,010 m	B (Incl. bow A-frame)	14,390 m
C	5,265 m	C (Top of block main)	4,270 m
D	5,690 m	D	4,520 m
E	5,470 m	E (Without windscreen)	4,409 m
F	3,000 m	F	2,200 m
G	2,177 m	G	1,489 m
H	5,360 m	H	4,149 m
I	5,380 m	I	4,217 m
Length mast	31,100 m	Length mast	22,2 m
Weight mast	512 kg	Weight mast	525 kg
Weight yacht	28500 kg	Weight yacht	14,500 kg
Weight cradle	220 kg	Weight cradle	220 kg
Weight keel	9150 kg	Weight keel	4100 kg
Weight yacht without keel	19350 kg	Weight yacht without keel	10400 kg
Without the bulb you deduct	0,468 m	Without the bulb you deduct	0,425 m
from C, D, E, G and F		from C, D, E, G and F	

Xc 45 draft 1.80		Xc 42 draft 2.10	
A	13,858 m	A	12,800 m
B (Incl. bow A-frame)	14,390 m	B (Incl. bow A-frame)	13,334 m
C (Top of block main)	3,870 m	C (Top of block main)	4,140 m
D	4,120 m	D	4,322 m
E (Without windscreen)	4,009 m	E (Without windscreen)	4,021 m
F	1,800 m	F	2,100 m
G	1,089 m	G	1,450 m
H	4,149 m	H	4,081 m
I	4,217 m	I	4,151 m
Length mast	22,2 m	Length mast	20,617 m
Weight mast	525 kg	Weight mast	227 kg
Weight yacht	kg	Weight yacht	- kg
Weight cradle	220 kg	Weight cradle	220 kg
Weight keel	kg	Weight keel	3,600 kg
Weight yacht without keel	kg	Weight yacht without keel	- kg
Without the bulb you deduct	m	Without the bulb you deduct	0,429 m
from C, D, E, G and F		from C, D, E, G and F	

Xc 35 draft 1,90m		Xc 38 Draft 2,1 meter	
A	10,40 m	A	11,60 m
B (Incl. A-frame)	10,90 m	B (Incl. bow A-frame)	12,14 m
C (Top of garage / No windscreen)	3,80 m	C (With windscreen)	4,23 m
D	4,00 m	D (std draft)	4,265 m
E (Windscreen))	4,00 m	E (Without windscreen)	3,98 m
F	1,90m	F (std / shallow draft)	2,10 m / 1,68 m
G	1,37 m	G (std draft)	1,45 m / 1,08 m
H	3,52 m	H	3,81 m
I	3,52 m	I	3,81 m
Length mast	17,2 m	Length mast	19,18
Weight mast	260 kg	Weight mast	410 kg
Weight yacht	6400 kg	Weight yacht	9500 kg
Weight cradle	220 kg	Weight cradle	220 kg
Weight keel	2000 kg	Weight keel	3200 kg
Weight yacht without keel	4400 kg	Weight yacht without keel	6300 kg
Without the bulb you deduct from C, D, E, G and F	All iron keel	Without the bulb you deduct from C, D, E, G and F	0,43 m
		* (B) Inclusive Pushpit	12,22 m

Xc 50 draft 2,35		Xc 38 Draft 2,1 meter	
A	14,99 m	A	11,60 m
B (Incl. bow A-frame)	15,52* m	B (Incl. bow A-frame)	12,14 m
C (Without windscreen / With windscreen)	4,40 / 4,76 m	C (With windscreen)	4,23 m
D	4,76 m	D (std draft)	4,265 m
E (Top of block main(No windscreen))	4,55 m	E (Without windscreen)	3,98 m
F	2,35m	F (std / shallow draft)	2,10 m / 1,68 m
G	1,6 m	G (std draft)	1,45 m / 1,08 m
H	4,6 m	H	3,81 m
I	4,6 m	I	3,81 m
Length mast	23,5 m	Length mast	19,18
Weight mast	660 kg	Weight mast	410 kg
Weight yacht	17500kg	Weight yacht	9500 kg
Weight cradle	220 kg	Weight cradle	220 kg
Weight keel	4850kg	Weight keel	3200 kg
Weight yacht without keel	12650kg	Weight yacht without keel	6300 kg
Without the bulb you deduct from C, D, E, G and F	0,53 m	Without the bulb you deduct from C, D, E, G and F	0,43 m
* (B) Inclusive Pushpit	15,65 m	* (B) Inclusive Pushpit	12,22 m

Xp 38 Draft 2,40 meters		Xp 38 Draft 2,10 meters	
A	11,60 m	A	11,60 m
B (Incl. bow sprit)	12,20 m	B (Incl. bow sprit)	12,20 m
C (exluding garage)	4,20 m	C (exluding garage)	3,90 m
D (Pulpit)	4,47 m	D (Pulpit)	4,17 m
E (Winch/naz screen on pedestal)	4,3/4,2 m	E (Winch/naz screen on pedestal)	4,0/3,9 m
F	2,40m	F	2,10m
G (Bottom of boat not regarding sump)	1,90m	G (Bottom of boat not regarding sump)	1,60m
H	3,70 m	H	3,70 m
I	3,75 m	I	3,75 m
Length mast (carbon and Alu)	19,50 / 19 m	Length mast (carbon and Alu)	19,50 / 19 m
Weight mast (Carbon / Alu)	170 / 240kg	Weight mast (Carbon / Alu)	170 / 240kg
Weight yacht	7000kg	Weight yacht	7000kg
Weight cradle	220 kg	Weight cradle	220 kg
Weight keel	2600kg	Weight keel	2600kg
Weight yacht without keel	4400kg	Weight yacht without keel	4400kg
Without the bulb you deduct from C, D, E, G and F	0,29 m	Without the bulb you deduct from C, D, E, G and F	0,29 m

Xp 44 Draft 2,65 meters		Xp 44 Draft 2,30 meters	
A	13,30 m	A	13,30 m
B (Incl. bow sprit)	13,90 m	B (Incl. bow sprit)	13,90 m
C	4,53 m	C	4,18 m
D	4,85 m	D	4,5 m
E (Top of block main(No windscreen))	4,61 m	E	4,26 m
F	2,65m	F	2,30m
G	2,15 m	G	1,80 m
H	4,07 m	H	4,07 m
I	4,14 m	I	4,15 m
Length mast (carbon / Alu)	21,7 / 21,15 m	Length mast (carbon / Alu)	21,7 / 21,15 m
Weight mast (carbon / Alu)	230 / 330 kg	Weight mast (carbon / Alu)	230 / 330 kg
Weight yacht	9000kg	Weight yacht	9000kg
Weight cradle	220 kg	Weight cradle	220 kg
Weight keel	3700kg	Weight keel	3700kg
Weight yacht without keel	5300kg	Weight yacht without keel	5300kg
Without the bulb you deduct from C, D, E, G and F	0,33 m	Without the bulb you deduct from C, D, E, G and F	0,33 m

Xp 50 Draft 2,65 meters (Std.)		Xp 50 Draft 3,00meters	
A	15,00 m	A	15,00 m
B (End of bow sprit)	15,60 m	B (End of bow sprit)	15,60 m
C (exluding garage instruments)	4,66 m	C (exluding garage instruments)	5,01 m
D (Pulpit)	5,01 m	D (Pulpit)	5,36 m
E (Winch/naz screen on pedestal)	4,7/4,67 m	E (Winch/naz screen on pedestal)	5,05/5,02 m
F	2,65 m	F	3,00 m
G (Bottom of boat not regarding sump)	2,08 m	G (Bottom of boat not regarding sump)	2,43 m
H	4,43 m	H	4,43 m
I	4,5 m	I	4,5 m
Length mast (carbon / Alu)	24,70 / 24,10 m	Length mast (carbon / Alu)	24,70 / 24,10 m
Weight mast (Carbon / Alu)	460 / 610kg	Weight mast (Carbon / Alu)	460 / 610kg
Weight yacht	13750kg	Weight yacht	13500kg
Weight cradle	220 kg	Weight cradle	220 kg
Weight keel	5050kg	Weight keel	4800kg
Weight yacht without keel	8700kg	Weight yacht without keel	8700kg
Without the bulb you deduct from C, D, E, G and F	0,38 m	Without the bulb you deduct from C, D, E, G and F	0,38 m

Xp 33 Draft 1,90 meters		Xp 55	
A	10,00 m	A	16,76 m
B	10,00 m	B (End of bow sprit)	17,50 m
C	3,55 m	C (exluding garage instruments)	5,41 m
D (Pulpit)	3,71 m	D (Pulpit)	5,71 m
E (Winch / Stopper & Mast Collar)	3,63 / 3,58 m	E (Winch/naz screen on pedestal)	5,35 m
F	1,90 m	F	3,20 m
G (Bottom of boat not regarding sump)	1,50 m	G (Bottom of boat not regarding sump)	2,56 m
H	3,21 m	H	4,75 m
I	3,39 m	I	4,50 m
Length mast (carbon and Alu)	16,42 m	Length mast (carbon)	26,72 m
Weight mast (Carbon / Alu)	135 / 160 kg	Weight mast (Carbon)	550 kg
Weight yacht	4500 kg	Weight yacht	16200 kg
Weight cradle	220 kg	Weight cradle	220 kg
Weight keel	1700 kg	Weight keel	6100 kg
Weight yacht without keel	2800 kg	Weight yacht without keel	10100 kg
Without the bulb you deduct from C, D, E, G and F	0,265 m	Without the bulb you deduct from C, D, E, G and F	0,38 m

A: Length of hull.
B: Max length overall incl. pulpit.
C: The same as E, but without the winches.
D: Total height from underneath the keel to the top front pulpit.
E: Total height from underneath the keel to the top fitting on deck.
F: Draft from underneath the keel to the waterline zero.
G: From underneath the keel to underneath the hull = equal to the height of the keel.
H: B-max which is equal to the max width of the hull.
I: Max width incl. guardrail.

